



System parts for hosiery and medical machines

Selectors as well as sinkers and transfer jacks for the finest knitted fabrics

GROZ-BECKERT

Groz-Beckert KG

Parkweg 2, 72458 Albstadt, Germany
Phone +49 7431 10-0, Fax +49 7431 10-2777
contact-knitting@groz-beckert.com
www.groz-beckert.com



Technical features:

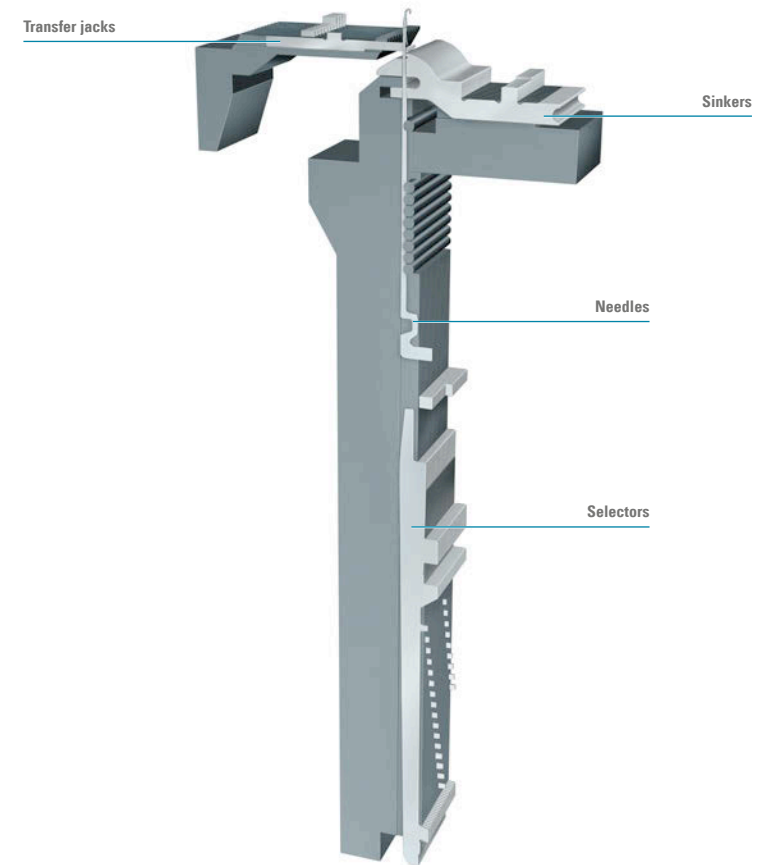
- Manufactured according to OEM specifications
- Optimal edge rounding
- Highest dimensional accuracy
- Wear protection thanks to local hardness

Advantages:

- Optimal interaction of system parts and needles
- Prevention of capillary breakage
- Uniform loop structure
- Guaranteed miscibility of different batches

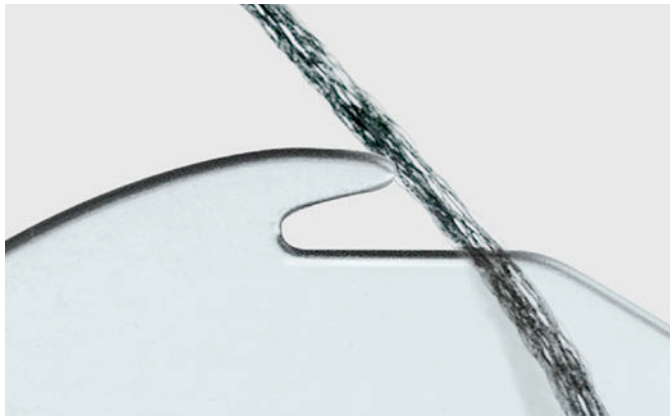
Benefits:

- High productivity and reduced downtime thanks to process reliability
- Consistently high fabric quality
- Particularly suitable for sensitive fabrics or fine gauges



Wear protection with locally hardened sinkers

Extreme loads from mechanical influences in the loop-formation process lead to premature wear. Abrasive yarns are usually the cause of particularly heavy signs of wear. With natural fiber yarns, it is impurities that are harder than steel; with synthetic fiber yarns that are treated for matting, it is titanium dioxide microcrystals that can protrude from the yarn surface and cut into the steel.



Optimal edge rounding and local hardness in the yarn-impact area

Groz-Beckert sinkers with local hardness provide precise wear protection in the yarn-impact area. The sinkers are especially suited to production at high speeds and the use of abrasive yarns.

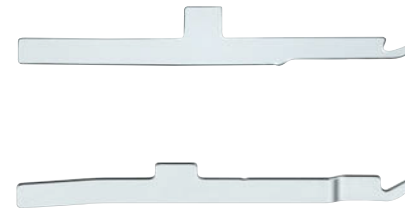
Profitability/productivity

Reduced sinter consumption and improved process reliability – with maximum productivity.

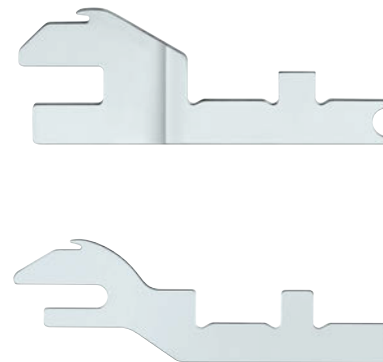
Quality

Consistent and flawless fabric quality thanks to maximum, precise wear protection.

Transfer jacks



Sinkers



Selectors

